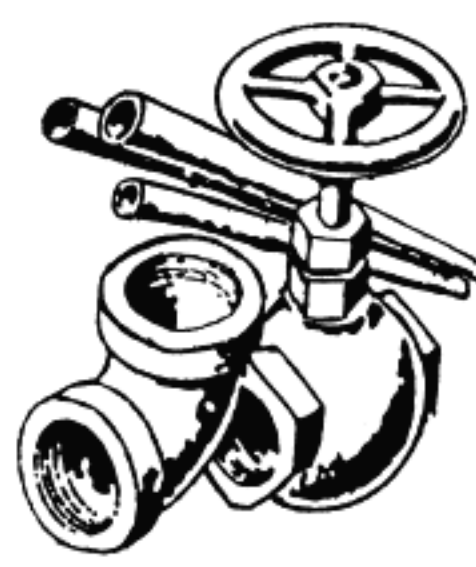
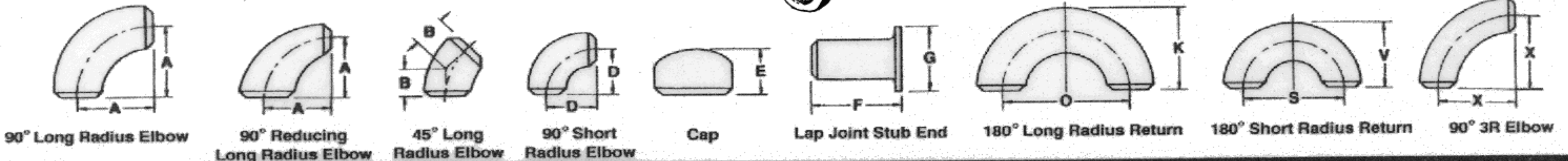




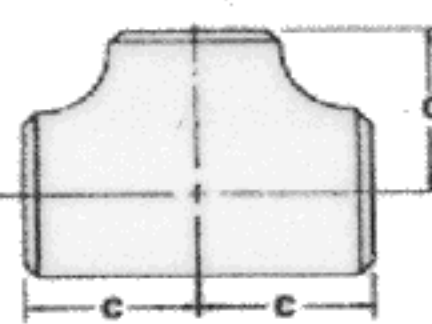
Moorlane Sutton Supply, Inc.
 203 South Klein (1200 W. Reno)
 Oklahoma City, OK 73108
 Phone:(405) 236-3591
 Toll Free:(877) 236-3591
 Fax:(405) 236-3592



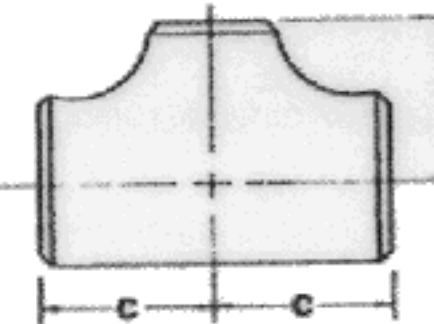
Welding Fittings



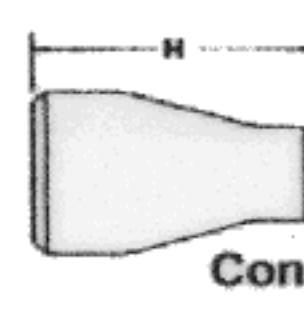
Nom. Pipe Size	Pipe O.D. (In.)	WALL THICKNESS												A	B	D	E	F		G	O	K	S	V	X	Y			
		Light Wall	SCH 20	SCH 30	STD	SCH 40	SCH 60	X STG	SCH 80	SCH 100	SCH 120	SCH 140	SCH 160					XX STG	ANSI								MSS		
1/2	.84				.109	.109	.147	.147				.188	.294	1.50	.62		1.00	3.00	2.00	1.38	3.00	1.88							
3/4	1.05				.113	.113	.154	.154				.219	.308	1.12	.44		1.00	3.00	2.00	1.69	2.25	1.69							
1	1.32				.133	.133	.179	.179				.250	.358	1.50	.88	1.00	1.50	4.00	2.00	2.00	3.00	2.19	2.00	1.62					
1 1/4	1.66				.140	.140	.191	.191				.250	.382	1.88	1.00	1.25	1.50	4.00	2.00	2.50	3.75	2.75	2.50	2.06					
1 1/2	1.90				.145	.145	.200	.200				.281	.400	2.25	1.12	1.50	1.50	4.00	2.00	2.88	4.50	3.25	3.00	2.44					
2	2.38				.154	.154	.218	.218				.344	.436	3.00	1.38	2.00	1.50	6.00	2.50	3.62	6.00	4.19	4.00	3.19	6.00	2.50			
2 1/2	2.88				.203	.203	.276	.276				.375	.552	3.75	1.75	2.50	1.50	6.00	2.50	4.12	7.50	5.19	5.00	3.94	9.00	3.75			
3	3.50	.188			.216	.216	.300	.300				.438	.600	4.50	2.00	3.00	2.00	6.00	2.50	5.00	9.00	6.25	6.00	4.75	9.00	3.75			
3 1/2	4.00				.226	.226	.318	.318				.531	.674	5.25	2.25	3.50	2.50	6.00	3.00	5.50	10.50	7.25	7.00	5.50	12.00	5.00			
4	4.50	.188			.237	.237	.337	.337			.438	.531	.674	6.00	2.50	4.00	2.50	6.00	3.00	6.19	12.00	8.25	8.00	6.25	12.00	5.00			
5	5.56				.258	.258	.375	.375			.500	.625	.750	7.50	3.12	5.00	3.00	8.00	3.00	7.31	15.00	10.31	10.00	7.75	18.00	7.50			
6	6.62	.219			.280	.280	.432	.432			.562	.719	.864	9.00	3.75	6.00	3.50	8.00	3.50	8.50	18.00	12.31	12.00	9.31	18.00	7.50			
8	8.62	.219	.250	.277	.322	.322	.406	.500	.500	.594	.719	.844	1.000	1.125	1.000	1.000	15.00	6.25	10.00	5.00	10.00	5.00	12.75	30.00	20.38	20.00	15.38	30.00	12.50
10	10.75	.219	.250	.307	.365	.365	.500	.500	.594	.719	.844	1.000	1.125	1.000	1.000	15.00	6.25	10.00	5.00	10.00	5.00	12.75	30.00	20.38	20.00	15.38	30.00	12.50	
12	12.75	.250	.250	.330	.375	.406	.562	.500	.688	.844	1.000	1.125	1.312	1.000	18.00	7.50	12.00	6.00	10.00	6.00	15.00	36.00	24.38	24.00	18.38	36.00	15.00		
14	14.00	.250	.312	.375	.375	.438	.594	.500	.750	.938	1.094	1.250	1.406		21.00	8.75	14.00	6.50	12.00	6.00	16.25	42.00	28.00	28.00	21.00	42.00	17.50		
16	16.00	.250	.312	.375	.375	.500	.656	.500	.844	1.031	1.219	1.438	1.594		24.00	10.00	16.00	7.00	12.00	6.00	18.50	48.00	32.00	32.00	24.00	48.00	19.88		
18	18.00	.250	.312	.438	.375	.562	.750	.500	.938	1.156	1.375	1.562	1.781		27.00	11.25	18.00	8.00	12.00	6.00	21.00	54.00	36.00	36.00	27.00	54.00	22.38		
20	20.00	.250	.375	.500	.375	.594	.812	.500	1.031	1.281	1.500	1.750	1.969		30.00	12.50	20.00	9.00	12.00	6.00	23.00	60.00	40.00	40.00	30.00	60.00	24.88		
24	24.00	.250	.375	.562	.375	.688	.969	.500	1.219	1.531	1.812	2.062	2.344		36.00	15.00	24.00	10.50	12.00	6.00	27.25	72.00	48.00	48.00	36.00	72.00	29.81		
30	30.00	.312	.500	.625	.375	.750		.500							45.00	18.50	30.00	10.50				90.00	60.00	60.00	45.00	90.00	37.25		
36	36.00	.312	.500	.625	.375	.750		.500							54.00	22.25	36.00	10.50					72.00	54.00	108.00	44.75			
42	42.00				.375			.500							63.00	26.00	42.00	12.00							126.00	52.19			
48	48.00				.375			.500							72.00	29.88	48.00	13.50							144.00	59.69			



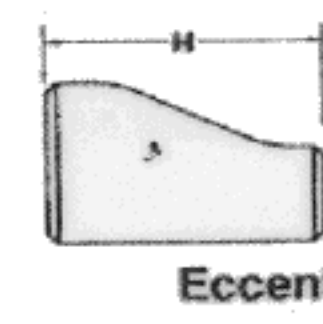
Straight Tee



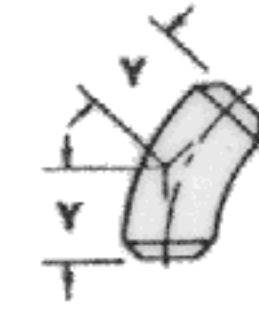
Reducing Tee



Concentric Reducer



Eccentric Reducer



45° 3R Elbow

Nom. Pipe Size		C	M	H	Nom. Pipe Size		C	M	H	Nom. Pipe Size		C	M	H	Nom. Pipe Size		C	M	H
Run	Outlet				Run	Outlet				Run	Outlet				Run	Outlet			
3/4	3/4	1.12			3 1/2	3 1/2	3.75			12	12	10.00			24	24	17.00		
	1/2	1.12	1.12	1.50		3	3.75	3.62	4.00		10	10.00	9.50	8.00		22	17.00	17.00	20.00
					3 1/2	2 1/2	3.75	3.50	4.00	12	8	10.00	9.00	8.00	24	20	17.00	17.00	20.00
1	1	1.50				2	3.75	3.25	4.00		6	10.00	8.62	8.00		18	17.00	16.50	20.00
	3/4	1.50	1.50	2.00		1 1/2	3.75	3.12	4.00	14	14	11.00	11.00	13.00	24	16	17.00	16.00	20.00
	1/2	1.50	1.50	2.00	4	4	4.12				12	11.00	10.62	13.00		14	17.00	16.00	
1 1/4	1 1/4	1.88				3 1/2	4.12	4.00	4.00	14	10	11.00	10.12	13.00	30	30	22.00	21.00	24.00
	1	1.88	1.88	2.00		3	4.12	3.88	4.00		8	11.00	9.75	13.00		24	22.00	20.00	24.00
	3/4	1.88	1.88	2.00		2 1/2	4.12	3.75	4.00	16	16	12.00	12.00	14.00	30	20	22.00	20.00	
	1/2	1.88	1.88	2.00		2	4.12	3.50	4.00		14	11.00	9.38	13.00		18	22.00	19.50	
1 1/2	1 1/2	2.25				1 1/2	4.12	3.38	4.00	16	14	12.00	12.00	14.00	36	36	26.50	25.00	24.00
	1 1/4	2.25	2.25	2.50	5	5	4.88	4.62	5.00		12	12.00	11.62	14.00		30	26.50	25.00	24.00
	1	2.25	2.25	2.50		3 1/2	4.88	4.50	5.00	18	18	13.50	13.00	15.00	36	24	26.50	24.00	24.00
	3/4	2.25	2.25	2.50		3	4.88	4.38	5.00		16	12.00	10.75	14.00	36	20	26.50	23.00	
	1/2	2.25	2.25	2.50		2 1/2	4.88	4.25	5.00	18	16	13.50	13.00	15.00		18	26.50	22.50	
						2	4.88	4.12	5.00	18	14	13.50	13.00	15.00	42	42	30.00	28.00	24.00
2	2	2.50				5	5.62	5.38	5.50		12	13.50	12.62	15.00		36	30.00	28.00	24.00
	1 1/2	2.50	2.38	3.00	6	6	5.62	5.12	5.50	20	20	15.00	14.50	20.00	48	48	35.00	32.00	28.00
	1 1/4	2.50	2.25	3.00		4	5.62	5.00	5.50		16	15.00	14.00	20.00		42	35.00	31.00	
	1	2.50	2.00	3.00		3 1/2	5.62	4.88	5.50	20	14	15.00	14.00	20.00	48	42	35.00	31.00	
	3/4	2.50	1.75	3.00		3	5.62	4.88	5.50		12	15.00	13.62	20.00		30	35.00	30.00	
						2 1/2	5.62	4.75	5.50	20	10	15.00	13.12	20.00	48	30	35.00	30.00	
2 1/2	2 1/2	3.00				8	7.00				8	15.00	12.75			24	35.00	29.00	
	2	3.00	2.75	3.50	8	8	7.00	6.62	6.00										
	1 1/2	3.00	2.62	3.50		6	7.00	6.38	6.00										
	1 1/4	3.00	2.50	3.50		4	7.00	6.12	6.00										
	1	3.00	2.25	3.50		3 1/2	7.00	6.00	6.00										
3	3	3.38			10	10	8.50												
	2 1/2	3.38	3.25	3.50		8	8.50	8.00	7.00										
	2	3.38	3.00	3.50		6	8.50	7.62	7.00										
	1 1/2	3.38	2.88	3.50		5	8.50	7.50	7.00										
	1 1/4	3.38	2.75	3.50		4	8.50	7.25											